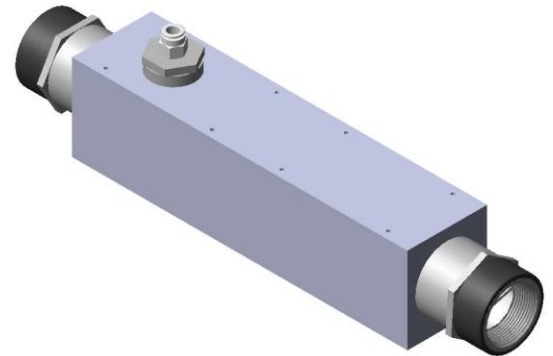




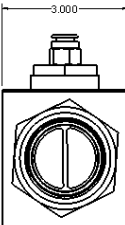
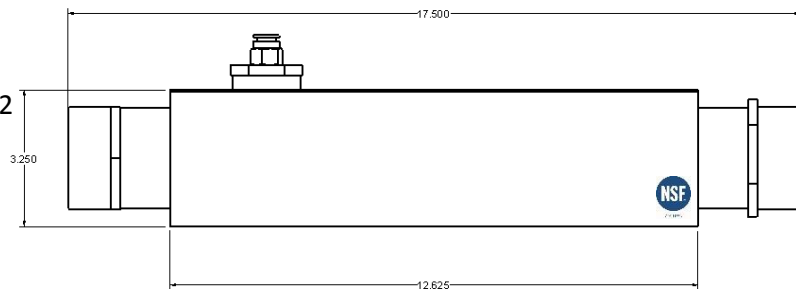
pHure Product Specifications

Product Part Number	PV-C25001
Cabinet type / QTY	Combined / 1
Material	Stainless Steel, 316L
Internal Finish	As made, welded as laid
Degree of Protection	Nema 12
Dimensions	See Drawings
Weight dry	5 lbs. (2.27 kg)
Weight wet	9 lbs. (4.08 kg)



Mounting: Inline

Gas Type: Carbon Dioxide / Co2



Product Outputs:

Co2 Injector: 1/4" MPT - 3/8" OD Tubing

This feeder is designed to operate at 130 SCFH and maximum inlet pressure of 40 psi with an ideal flow rate of (45 – 65GPM).

Maximum Working Pressure: 50 psi

14lbs/hr. Pool – 11.91lbs/hr. Spa

REV 2: 4/1/16



CCS-14530