



## **AquaGen Product Specifications**

Product Part Number	PV-x201
Cabinet type / QTY	Combined / 1
Material	Stainless Steel, 316L
Internal Finish	As made, welded as laid
Degree of Protection	Nema 4
Dimensions	See Drawings
Weight dry	85 lbs. (38.5 kg)
Weight wet	95 lbs. (44 kg)
Ambient temperature	32-104 F (0-40 C)
Ambient humidity	< 90 F (37.7 C)



**Mounting:** Housekeeping Pad

### **Electrical Specifications:**

120 /208-230 VAC, 12.6 / 6.4-6.4 AMP, 60 Hz; 1 Phase GFCI protected electrical outlet

**Gas Type:** Oxygen Only

### **Product Outputs:**

This feeder is designed to operate at a maximum inlet pressure of 10 psi and an ideal flow rate of 45 – 65 GPM.

Maximum Working Pressure: 50 psi

8 LPM @ 20psi, 8.78lbs/day Pool – 7.91lbs/day Spa



CCS-14530

## **Concentrator Product Specifications**

Cabinet type / QTY	Combined / 1
Material	Painted Aluminum Enclosure
Internal Finish	As made
Degree of Protection	Nema 4 / (Optional) in Nema 12
Dimensions	See Drawings
Weight dry	56 lbs. (25.4 kg)
Ambient temperature	40-112 F (4 - 44 C)
Ambient humidity	< 100 F (73 C)



## **Electrical Specifications**

120V ~ ±10%, 60 Hz, 5.0 A  
220V ~ ±10%, 60 Hz, 2.5 A

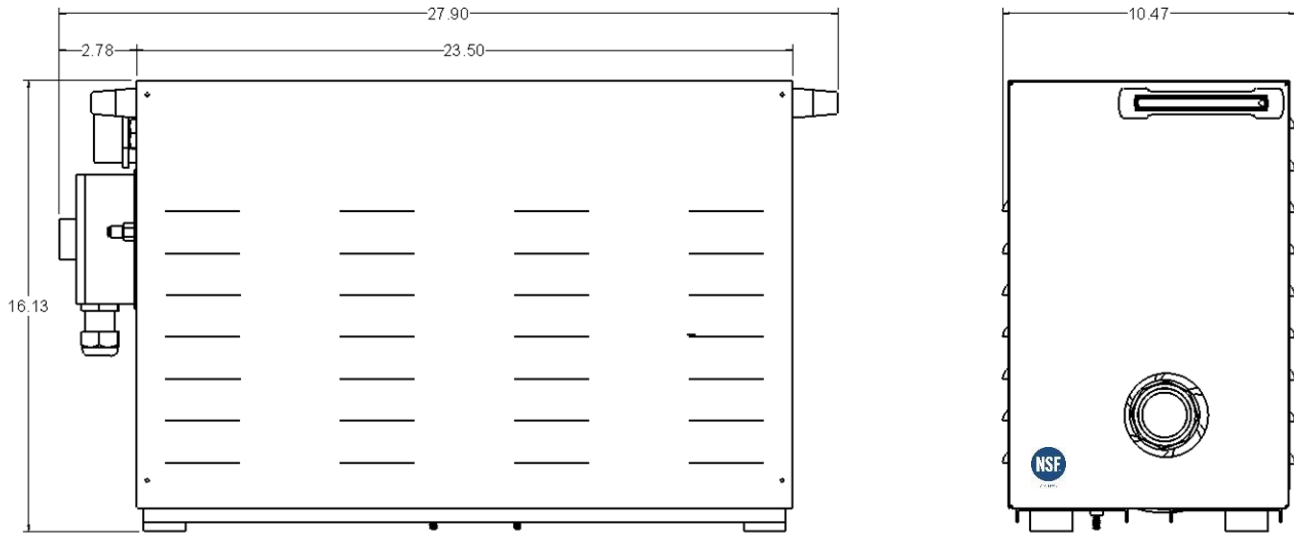
## **Outputs:**

Product Flow: 8 LPM (17 SCFH)  
Product Pressure: 20 psig (138 kPa)  
Product concentration (nominal) 93%

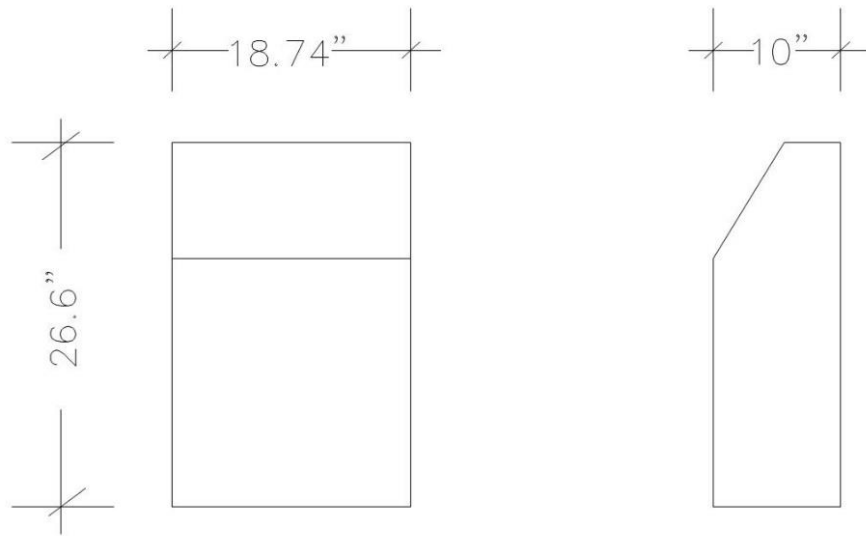


CCS-14530

## AquaGen Dimensions



## Concentrator Dimensions



**REV 2: 4/1/16**